

This product is intended for installation only by expert users. Please consult with a qualified technician for installation. Improper installation may result in damage to your equipment. EK Water Blocks assumes no liability whatsoever, expressed or implied, for the use of these products, nor their installation. The following instructions are subject to change without notice. Please visit our web site at www.ekwb.com for updates. Before installation of this product please read important notice, disclosure and warranty conditions printed on the back of the box.

Before you start using this product please follow these basic guidelines:

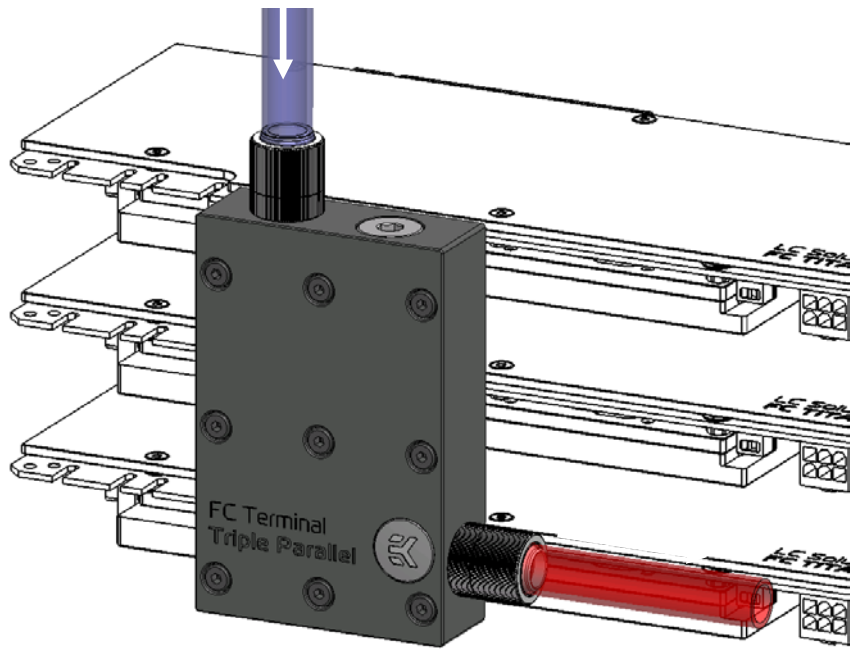
1. Please carefully read the manual before through before beginning with the installation process!
 2. Please remove your motherboard from the computer to assure safest mounting process in order to prevent any possible damages to your CPU and/or motherboard's circuit board (PCB).
 3. The EK High Flow and EK-PSC and EK CSQ type fittings require only a small amount of force to screw them firmly in place since the liquid seal is ensured by the rubber O-ring gaskets.
- The use of corrosion inhibiting coolants is always recommended for any liquid cooling system.

VERY IMPORTANT NOTICE!!! READ THIS!!!

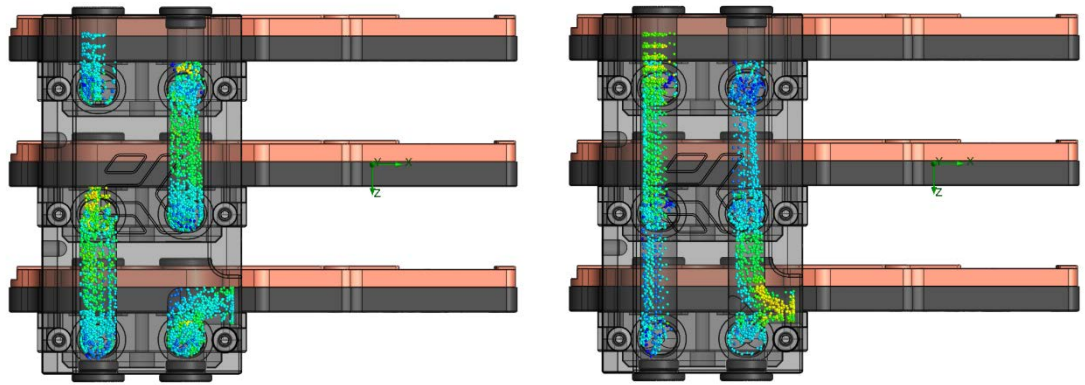
Do not over-tighten the screws during assembly process! Over-tightening of the screw may damage the thread in the block's Top, stripping the M4 thread or cracking the top, rendering the blocks top useless.

STEP 1: GENERAL INFORMATION.

Sample picture showing EK-FC Terminal TRIPLE Parallel



STEP 2: GENERAL INFORMATION: SERIAL vs PARALLEL

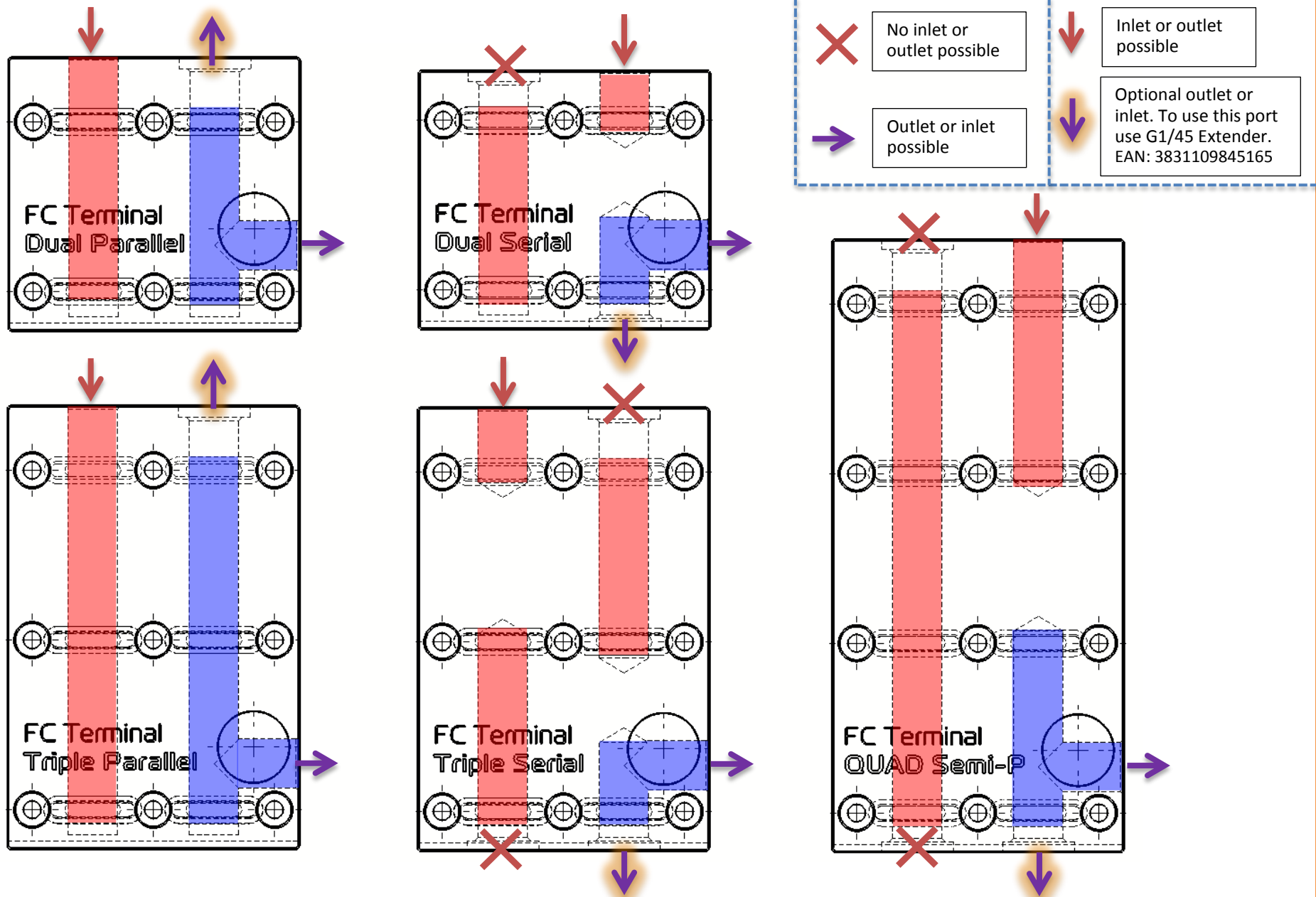


Serial or successive flow:
Water starts flowing initially through first block, continues to second block and ends up with the third block. Whole system flow is lower compared to parallel flow due to higher restriction.

Parallel flow:
Water flows through all blocks simultaneously. With such configuration each water block gets one third of all flow. Total system flow is higher compared to serial or successive flow.

STEP 3: CHOOSING INLET AND OUTLET PORT

It is of highest importance to use correct inlet and outlet port configuration. Not using the correct ports may result in water bypassing the water blocks instead of flowing through the water blocks. As a result the bypassed graphics card will overheat and may get damaged beyond repair!



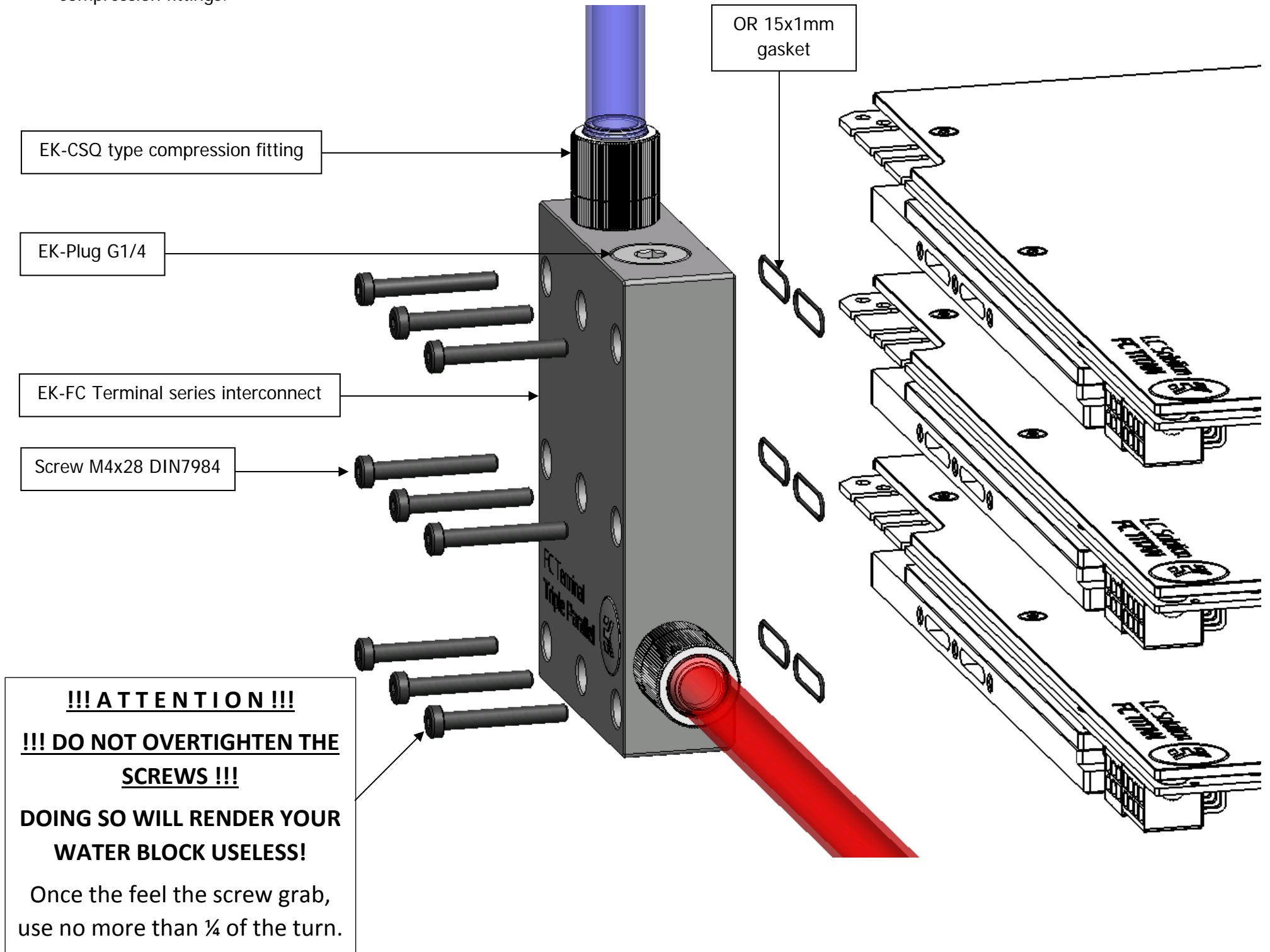
PLEASE NOTE:

1. Only one port must be used as inlet and one port as outlet!
2. Ports can be exchanged, meaning inlet can be used as outlet and at the same time outlet can be used as inlet.

STEP 4: ATTACHING THE EK-FC TERMINAL INTERCONNECT

Please take the following steps for installing any EK-FC Terminal interconnect to your graphics cards water blocks:

1. Remove the preinstalled FC Single Terminal from the water block using 2,5mm Allen key by unfastening three M4 Screws.
2. Save the O-ring gaskets and M4 Screws from the FC Single Terminal.
3. Install OR 15x1 mm O-ring gaskets in grooved slots on the EK-FC Terminal interconnect. Make sure the gaskets are installed correctly! Each water block or blank link requires two (2) gaskets!
4. Secure the EK-FC Terminal interconnect with M4x28 DIN7984 Screws (enclosed) using the enclosed Allen (hex) key 2.5mm!
5. **If necessary** plug all unused Terminal ports using appropriate EK-FC Terminal Blank Links (Serial or Parallel – depending on the type of your bridge). When using EK-FC Terminal Blank Links make sure you follow installation guides provided with the Blank Links.
6. Plug all unneeded G1/4 threaded ports using Allen (hex) key 6mm (if needed) and install inlet/outlet fittings. EK recommends EK-PSC and EK-CSQ compression fittings.



STEP 5: OTHER INSTRUCTIONS

VERY IMPORTANT NOTICE: Once the installation is completed, it is a recommended practice to test the cooling circuit for leaks prior to powering up the computer. We recommend a 24 hour leak test prior to powering up the computer. Do not test the water block using tap water pressure. This will rupture the top of the housing and render the block unusable (and will void your warranty). While all efforts have been made to provide the most comprehensive tutorial possible, EK Water Blocks assumes no liability expressed or implied for any consequential damage(s) occurring to your equipment as a result of using EK Water Blocks cooling products, either due to errors or omissions on our part in the above instructions, or due to failure or defect in the EK Water Blocks cooling products.

WARRANTY: Our products are warranted against defects in materials or workmanship for a period of 24 months beginning from the date of delivery to the final user. During this period, products will be repaired or have parts replaced at our discretion provided that:

- (I) the product is returned to the agent from whom it was purchased;
- (II) the product has been purchased by an end user and has not used for commercial purposes;
- (III) the product has not been misused, handled carelessly, or used in a manner other than in accordance with the instructions provided describing its installation and proper use.

This warranty does not confer rights other than those expressly set out above and does not cover any claims for consequential loss or damage.

This warranty is offered as an extra benefit and does not affect your statutory rights as a consumer.

This warranty is voided if the product comes in contact with aggressive additives or other improper liquids.

REQUIRED TOOLS:

Allen (hex) key 6mm & 2.5mm (both enclosed).

For **support** please visit: www.ekwb.com/support

For **product suggestion** please visit: thinkcell.ekwb.com